

# DC-55W00

## Desktop Cradle w/ Qi Standard Wireless Charger



### Specifications

#### Dimensions

Length	184.7 mm
Width	83.9 mm
Thickness	84.5 mm
Weight	221.7g

#### Connectivity

Wireless Charge	Yes
Charging Connector	Micro-USB connector

#### User Interface

Charging indicator	Blue
Fault indicator	Red

#### Environmental

Charging Temp.	0 ~ 45°C (32 ~ 112°F)
----------------	-----------------------

#### Power Management

Wireless charging standard	Qi compatible
----------------------------	---------------

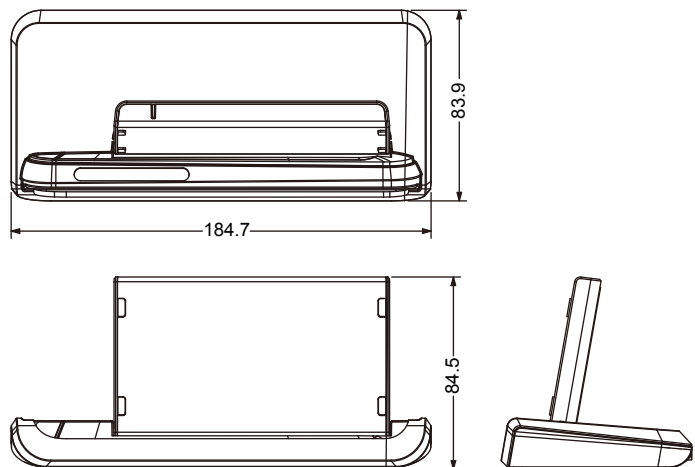
#### Power

Charger Standby Consumption	Less than 30 mW
Charger Input Current	2A
Charger Input Voltage	5 VDC
Cable Length	100cm

#### Ordering Information

DC-55W00	Desktop cradle for TITAN 5
----------	----------------------------

#### Dimensions



Unit: mm

All specifications are subject to change without notice.